

SOLAR STRING BOX

 Residential System

 Commercial System



ZHEJIANG BENYI ELECTRICAL CO., LTD.

Address : Wenzhou Daqiao Industry Park, Yueqing City Zhejiang Province,325603 China.

TEL : +86-577-5717 7008 Email : benyi@zjbeny.com

VERSION : 20220416

For the latest version of specification, please refer to www.beny.com or contact to benyi@zjbeny.com
We reserve the right to explain the terms of specification.



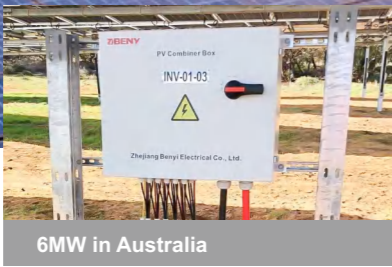
PROJECT CASES

BENY String Boxes
In Projects

- 73% market share in AU of DC switch
- Top 1 DC components manufacturer in China
- Top 1 Solar String Box manufacturer in China



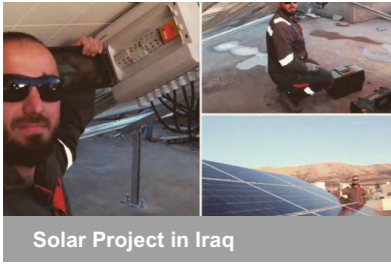
85MW in De Aar South Africa



6MW in Australia



Solar Project in Tunis



Solar Project in Iraq



Solar Project in Indonesia



Solar Project in Chile



CONTENTS

Solar Combiner Box 01




Solar DC String Box
1 in 1 out 600V
Page 02



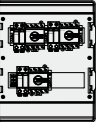
Solar DC String Box
1 in 1 out DC 1040V
Page 03



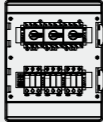
Solar DC String Box
2 in 2 out 600V
Page 04



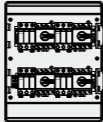
Solar DC String Box
2 in 2 out DC 1040V
Page 05



Solar DC String Box
3 in 3 out 600V
Page 06



Solar DC String Box
3 in 3 out DC 1040V
Page 07



Solar DC String Box
4 in 4 out DC 1040V
Page 08



Solar DC String Box
6 in 6 out DC 1040V
Page 09

The Best DC Components for The Best Result.



About BENY

Top 1 manufacturer of DC components and combiner boxes in China.
With more than 10 years experience in solar DC solutions designing, producing and testing.

We are one of the manufacturers own the DC electrical cycle tester in China, the test equipment is important for keeping the DC switch at high quality level.

The first DC switch listed by UI508i.

The standard DC isolator recommended by Clean Energy Council Australia.

BENY is supplying reliable DC components to top inverter companies and EPCs worldwide.

1000V 1500V solar solutions DC side and AC side is available.

Product Specification

KEEP INNOVATING

Solar Combiner Box SERIES



Solar DC String Box
1 in 1 out 600V

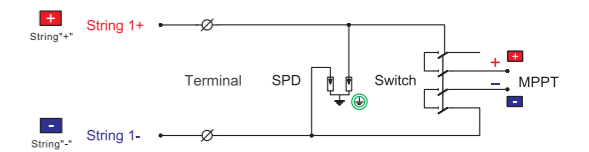


General Data		DC Surge Arrester	BUD-40/2
Model No.	BHS-3/3 600V	Max Operation Voltage (Ucpv)	600V
Input	1 string	Standard Compliance with	EN 50539 Type 2
Output	1 string	Maximum Discharge Current	40 KA
Maximum Voltage	600V	Certification	CE
Maximum Current Output	32A		

Enclosure		BX-08	Environment
Material Type	Polycarbonate/ABS	Operating Temperature	-20°C~+60°C
Degree of Protection	IP65	Humidity	99%
Degree of Resistance to Impacts	IK10	Altitude	2000M
Dimension (WxHxD)	200*190*120mm	Installation	Wall Mounting
Cable input Entry	MC4/Cable Glands		
Output Cable Gland	MC4		

DC Switch Disconnecter		BYT.2-32
Rated Insulation Voltage (Ui)	600V	
Rated Current (Ie)	32A	
Category	DC21B/PV2	
Standard Compliance with	IEC 60947-3	
Certification	UL, TUV,KEMA,SAA,CE	

Solar Combiner Box

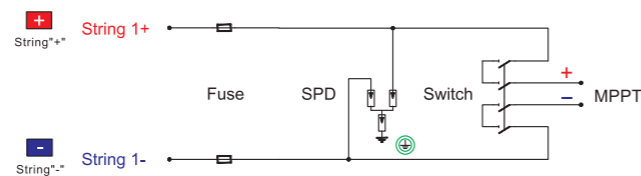




Solar DC String Box
1 in 1 out DC 1040V



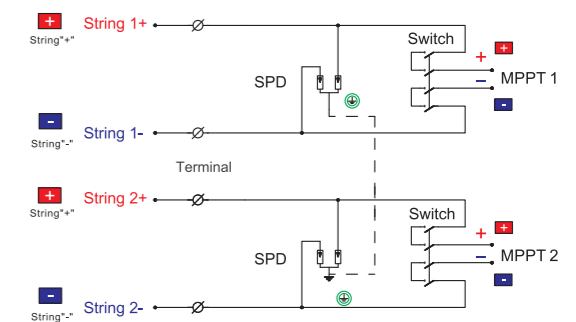
General Data		DC Surge Arrester	BUD-40/3
Model No.	BHS-1/1	Max Operation Voltage (Ucpv)	1040V
Input	1 string	Standard Compliance with	EN 50539 Type 2
Output	1 string	Maximum Discharge Current	40 KA
Maximum Voltage	1040V	Certification	TUV CE
Max DC Short Circuit Current Per Input (Isc)	15A (Changeable)		
Maximum Current Output	32A		
Enclosure		DC fuse holder (Optional)	BR-30
Material Type	Polycarbonate/ABS	LED Indicator	Yes
Degree of Protection	IP65	Rated Working Voltage	1000V
Degree of Resistance to Impacts	IK10	Fuse Link	10x38mm LITTEL 15A
Dimension (WxHxD)	200*190*120mm	Certification	UL,CB,CE
Cable input Entry	PG09 Cable Gland, 2.5-16mm ²		
Output Cable Gland	PG21 2.5-16mm ²		
DC Switch Disconnecter		Environment	
Rated Insulation Voltage (Ui)	1200V	Operating Temperature	-20°C~+60°C
Rated Current (Ie)	32A	Humidity	99%
Category	DC21B/PV2	Altitude	2000M
Standard Compliance with	IEC 60947-3	Installation	Wall Mounting
Certification	UL, TUV,KEMA,SAA,CE		



Solar DC String Box
2 in 2 out 600V



General Data		DC Surge Arrester	BUD-40/2
Model No.	BHS-2M 600V	Max Operation Voltage (Ucpv)	600V
Input	2 string	Standard Compliance with	EN 50539 Type 2
Output	2 string	Maximum Discharge Current	40 KA
Maximum Voltage	600V	Certification	CE
Maximum Current Output	32A		
Enclosure		Environment	
Material Type	Polycarbonate/ABS	Operating Temperature	-20°C~+60°C
Degree of Protection	IP65	Humidity	99%
Degree of Resistance to Impacts	IK10	Altitude	2000M
Dimension (WxHxD)	292*220*120mm	Installation	Wall Mounting
Input	MC4/Cable Glands		
Output	MC4/Cable Glands		
DC Switch Disconnecter		Environment	
Rated Insulation Voltage (Ui)	600V	Operating Temperature	-20°C~+60°C
Rated Current (Ie)	32A	Humidity	99%
Category	DC21B/PV2	Altitude	2000M
Standard Compliance with	IEC 60947-3	Installation	Wall Mounting
Certification	TUV		



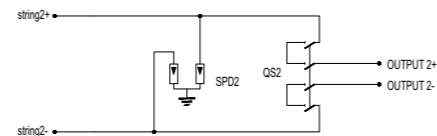
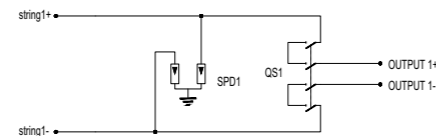
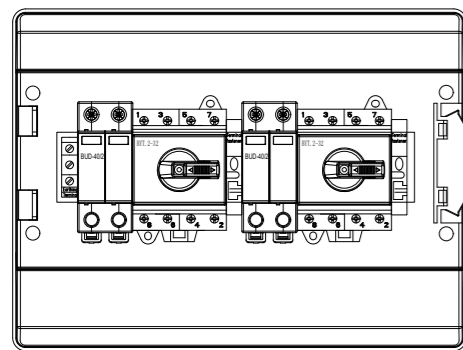


Solar DC String Box

2 in 2 out DC 1040V



General Data		DC Surge Arrester	
Model No.	BHS-2/2	Model No.	BUD-S1000
Input	2 strings	Max Operation Voltage (Ucpv)	1040V
Output	2 strings	Standard Compliance with	EN 50539 Type 1+2
Maximum Voltage	1040V	Maximum Discharge Current	40 KA
Max DC Short Circuit Current Per Input (Isc)	15A(Changeable)	Certification	TUV CE
Maximum Current Output	15A		
Enclosure		Environment	
Material Type	Polycarbonate/ABS	Operating Temperature	-20°C~+60°C
Degree of Protection	IP65	Humidity	99%
Degree of Resistance to Impacts	IK10	Altitude	2000M
Dimension (WxHxD)	292*220*120mm	Installation	Wall Mounting
Cable input Entry	PG09 Cable Gland,4-8mm ²		
Output Cable Gland	PG09 Cable Gland,4-8mm ²		
DC fuse holder		BR-30 (Optional)	
LED Indicator	Yes		
Rated Working Voltage			
Fuse Link	10×38mm OANISO 15A		
Certification	UL,CB,CE		

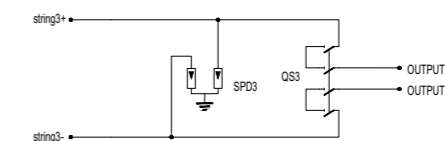
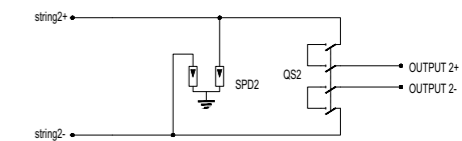
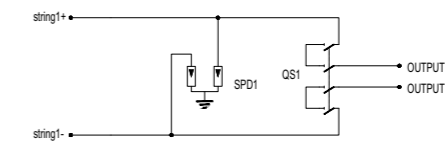
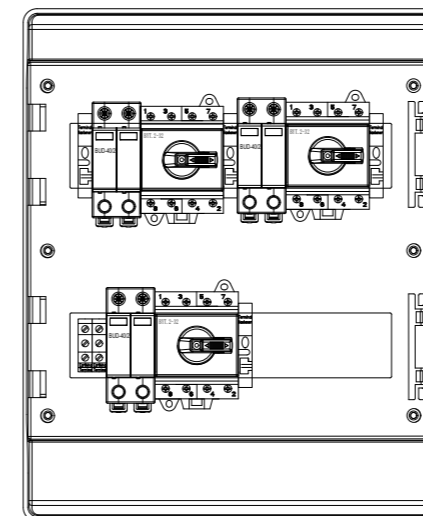


Solar DC String Box

3 in 3 out 600V



General Data		DC Surge Arrester	
Model No.	BHS-3/3 600V	Model No.	BUD-40/2
Input	3 strings	Max Operation Voltage (Ucpv)	600V
Output	3 strings	Standard Compliance with	EN 50539 Type 2
Maximum Voltage	600V	Maximum Discharge Current	40 KA
Maximum Current Output	32A	Certification	CE
Enclosure		Environment	
Material Type	Polycarbonate/ABS	Operating Temperature	-20°C~+60°C
Degree of Protection	IP65	Humidity	99%
Degree of Resistance to Impacts	IK10	Altitude	2000M
Dimension (WxHxD)	373*304*132mm	Installation	Wall Mounting
Cable input Entry	MC4/Cable Glands		
Output Cable Gland	MC4		
DC Switch Disconnecter		BYT.2-32	
Rated Insulation Voltage (Ui)	600V		
Rated Current (Ie)	32A		
Category	DC21B/PV2		
Standard Compliance with	IEC 60947-3		
Certification	UL, TUV,KEMA,SAA,CE		



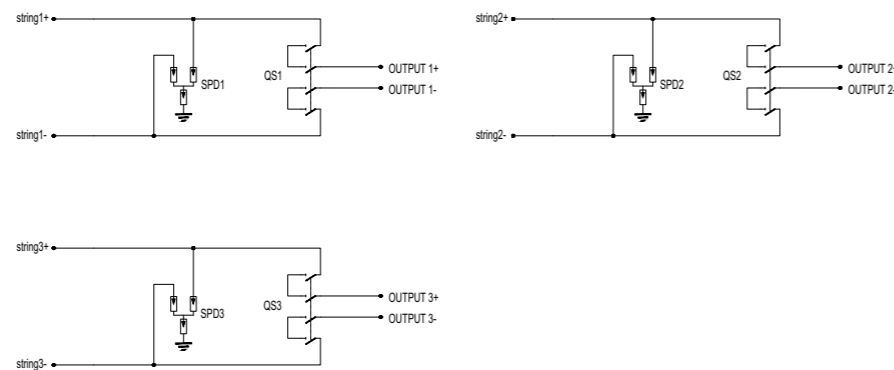
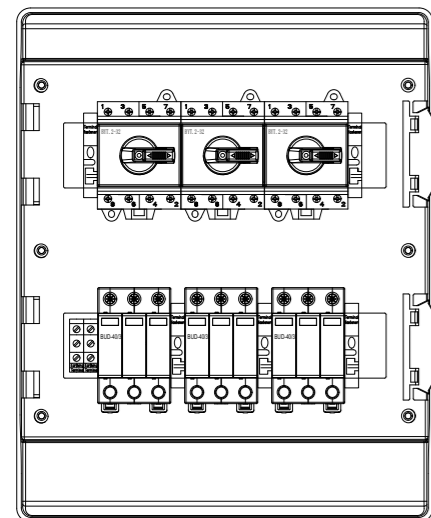


Solar DC String Box

3 in 3 out DC 1040V



General Data		DC Surge Arrester BUD-40/3	
Model No.	BHS-3/3	Max Operation Voltage (Ucpv)	1040V
Input	3 strings	Standard Compliance with	EN 50539 Type 2
Output	3 strings	Maximum Discharge Current	40 KA
Maximum Voltage	1040V		
Max DC Short Circuit Current Per Input (Isc)	15A (Changeable)		
Maximum Current Output	32A		
Enclosure		Environment	
Material Type	Polycarbonate/ABS	Operating Temperature	-20°C~+60°C
Degree of Protection	IP65	Humidity	99%
Degree of Resistance to Impacts	IK10	Altitude	2000M
Dimension (WxHxD)	373*304*132mm	Installation	Wall Mounting
Cable input Entry	PG09 Cable Gland, 2.5-16mm ²		
Output Cable Gland	PG21 2.5-16mm ²		
DC Switch Disconnecter BYT.2-32			
Rated Insulation Voltage (Ui)	1200V		
Rated Current (Ie)	32A		
Category	DC21B/PV2		
Standard Compliance with	IEC 60947-3		
Certification	UL, TUV,KEMA,SAA,CE		

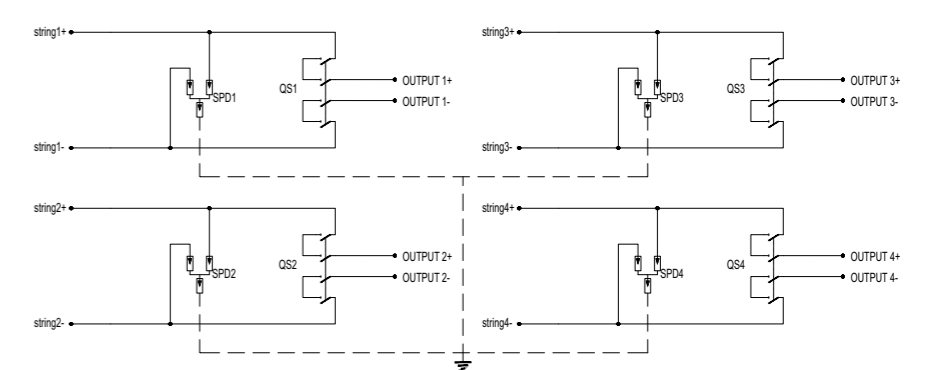
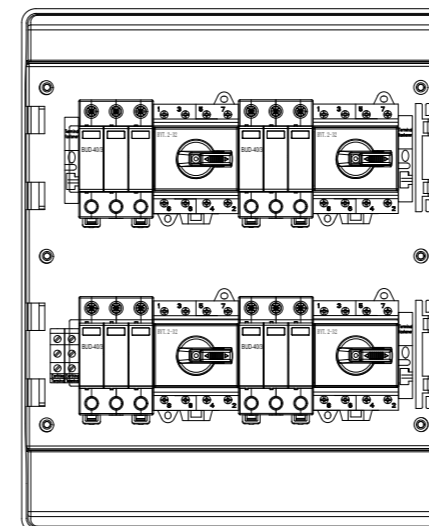


Solar DC String Box

4 in 4 out DC 1040V



General Data		DC Surge Arrester BUD-40/3	
Model No.	BHS-4/4	Max Operation Voltage (Ucpv)	1040V
Input	4 strings	Standard Compliance with	EN 50539 Type 2
Output	4 strings	Maximum Discharge Current	40 KA
Maximum Voltage	1040V		
Max DC Short Circuit Current Per Input (Isc)	15A (Changeable)		
Maximum Current Output	32A		
Enclosure		Environment	
Material Type	Polycarbonate/ABS	Operating Temperature	-20°C~+60°C
Degree of Protection	IP65	Humidity	99%
Degree of Resistance to Impacts	IK10	Altitude	2000M
Dimension (WxHxD)	373*304*132mm	Installation	Wall Mounting
Cable input Entry	PG09 Cable Gland, 2.5-16mm ²		
Output Cable Gland	PG21 2.5-16mm ²		
DC Switch Disconnecter BYT.2-32			
Rated Insulation Voltage (Ui)	1200V		
Rated Current (Ie)	32A		
Category	DC21B/PV2		
Standard Compliance with	IEC 60947-3		
Certification	UL, TUV,KEMA,SAA,CE		



Solar Combiner Box



Solar DC String Box

6 in 6 out DC 1040V



General Data		DC Surge Arrester BUD-40/3	
Model No.	BHS-6/6	Max Operation Voltage (Ucpv)	1040V
Input	6 strings	Standard Compliance with	EN 50539 Type 2
Output	6 strings	Maximum Discharge Current	40 KA
Maximum Voltage	1040V		
Max DC Short Circuit Current Per Input (Isc)	15A (Changeable)		
Maximum Current Output	32A		
Enclosure		Environment	
Material Type	Polycarbonate/ABS	Operating Temperature	-20°C~+60°C
Degree of Protection	IP65	Humidity	99%
Degree of Resistance to Impacts	IK10	Altitude	2000M
Dimension (WxHxD)	450*350*200mm	Installation	Wall Mounting
Cable input Entry	PG09 Cable Gland, 2.5-16mm ²		
Output Cable Gland	PG21 2.5-16mm ²		
DC Switch Disconnecter BYT.2-32			
Rated Insulation Voltage (Ui)	1200V		
Rated Current (Ie)	32A		
Category	DC21B/PV2		
Standard Compliance with	IEC 60947-3		
Certification	UL, TUV,KEMA,SAA,CE		

